



# SPINEL 3G

MOBILE SURGICAL FLUOROSCOPIC  
X-RAY SYSTEM

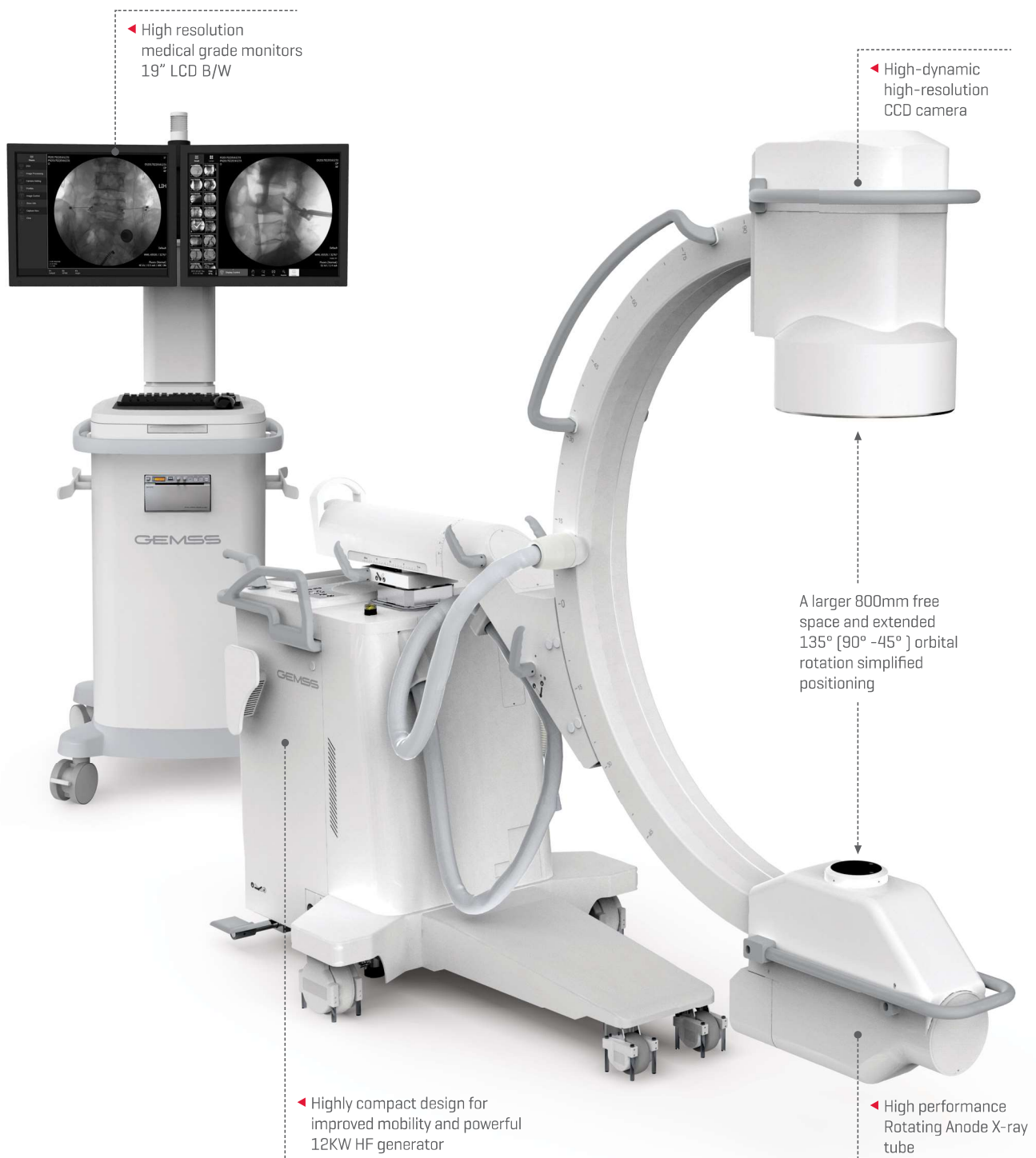
The Power of Passion

**GEMSS**  
HEALTHCARE

# High Performance Surgical C-arm

The rapidly changing Surgical Imaging market demands increased functionality and improved clinical applications, and the SPINEL 3G high performance surgical C-arm delivers in every detail, from its highly-attractive, modern appearance to its advanced engineering.

Additional sub-handles and a minimized footprint; intuitive pictographic UI; superior image quality [from the smallest detail to L-spine lateral projection]; and lower dose; these are just a few of the advances of the SPINEL 3G.



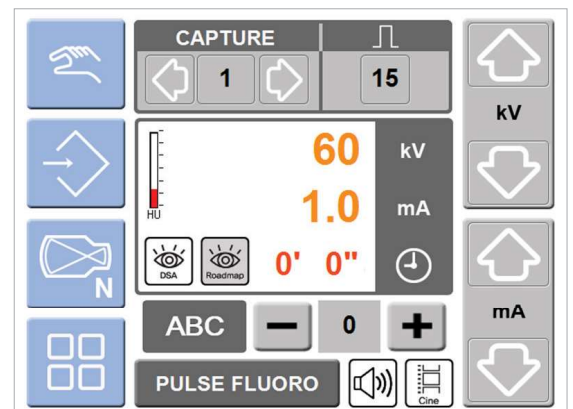
## Optimized Workflow

- Intuitive pictographic UI and Touchscreen operation panel
- Additional sub-handles for enhanced mobility
- Compact design provides more free space for operation
- Motorized cart elevation for easier monitor viewing
- Extended time and multi-frame recording capability
- Pulse Mode [1, 2, 4, 8, 15, 25 pulses/sec]

- \* Angio Package
  - DSA
  - Roadmap
  - Re-mask
  - Pixel shift
  - Max peak opacification
  - Landmarking
- \* DAP
- \* Multi-foot switch
- \* Thermal Printer
- \* indicates optional item



➤ Multi-foot switch



➤ Operation UI

## Specifications at a Glance



➤ 12kw, High Frequency Generator



➤ 1K x1K High Resolution CCD Camera



➤ 135° Wide Orbital Rotation with Large SID



➤ Touch Screen C-am Control



➤ High Performance Rotating Anode X-ray Tube



➤ Stability  
-Back-up fluoro  
-H.U.Display  
-RAID 1



➤ Lowering Dosage  
-Dose Report  
-Virtual collimator  
-Pulse mode



➤ High Resolution B/W 19" LCD Medical Grade Monitors  
-1,000cd/m<sup>2</sup>



➤ Angio Package  
-DSA  
-Roadmap  
-Re-mask  
-Pixel shift  
-Max peak opacification  
-Landmarking



➤ Convenience  
-Single power input  
-Sub-handles  
-Automatic monitor up/down  
-3rd monitor  
-Multi-foot switch



➤ Easy Archiving And Documentation  
-DICOM 3.0  
-CD/DVD Burner  
-DICOM Paper print support  
-USB Port

## Smart CXView 3

CXView 3 software features a user-friendly interface and improves workflow efficiency. Register patients easily with functions such as Merge, Match and Split. Transfer images between two servers or more. Export images in a variety of formats. All functions are fully DICOM 3.0 compatible and integrate seamlessly with PACS.



### Various Cine edit function

- Selective edit & save available
- Selective frame capture
- Unlimited CINE recording (Up to storage capacity)
- Unlimited study images (Up to storage capacity)



### Database Management

- More convenient search & save capabilities
- Manage patient information
- Before & after surgery comparison



### Versatile Diagnostic Tools

- Zoom, contrast, reverse, invert
- Filtering, edge enhancement
- Annotation
- Rotate R, Rotate L [360° free angle]



### PACS Connectivity With DICOM 3.0

- Store and print, modality worklist management
- MPPS, storage commitment, and Import & export

## High-quality Imaging

- Smart ABC (Auto Brightens Control)

- IODC (Intelligent Object Dose Control)

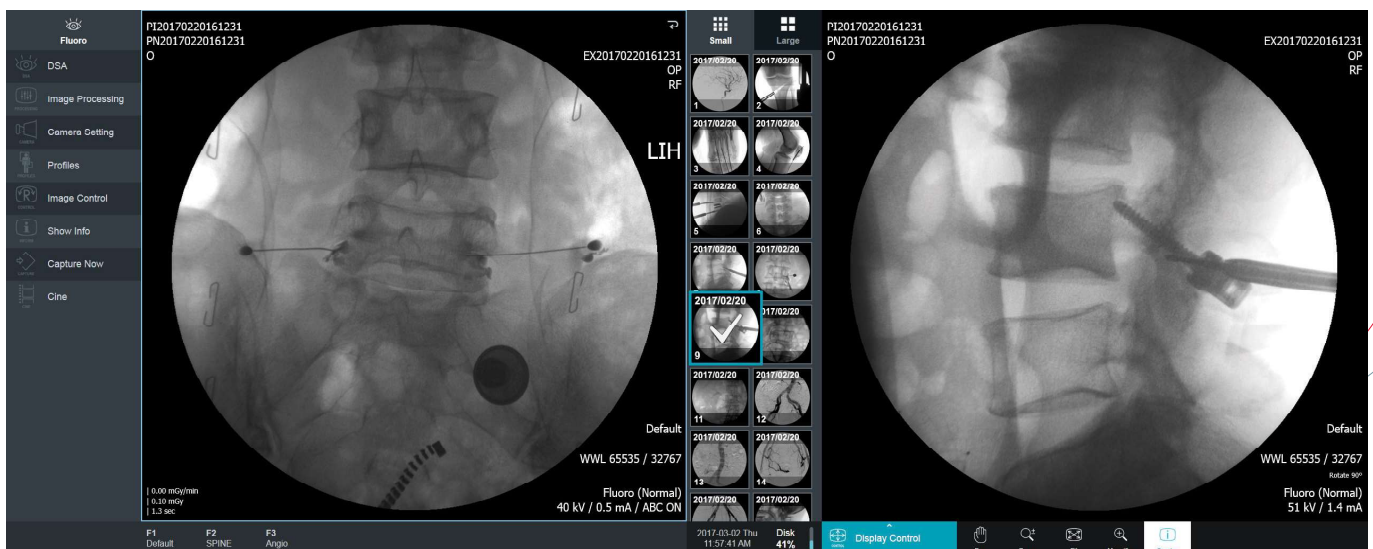
- Metal-Detected control

### SMART Angio Package

- DSA
- Roadmap
- Re-mask
- Pixel shift
- Max peak opacification
- Landmarking

Pulse technology supports 30 FPS (frames / sec) for more precise operation

Improved penetration of dense anatomy with Boost Mode (up to 20mA)

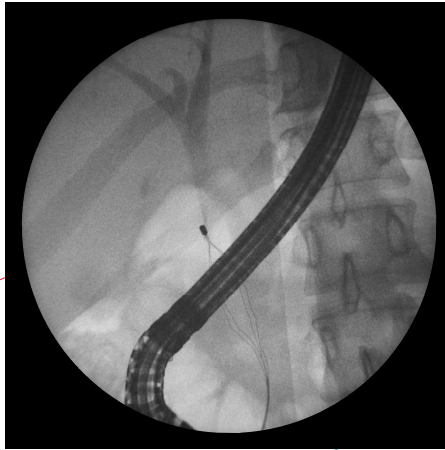


## Applications

- General Surgery
- Orthopedic Surgery
- Neurology
- Gynecology
- Vascular Surgery
- Interventional Radiology
- Urology
- Anesthesiology
- Rehabilitation
- Obstetrics and Gynecology



Brain Angiography



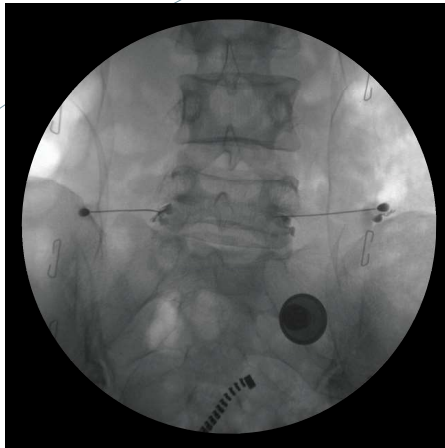
ERCP



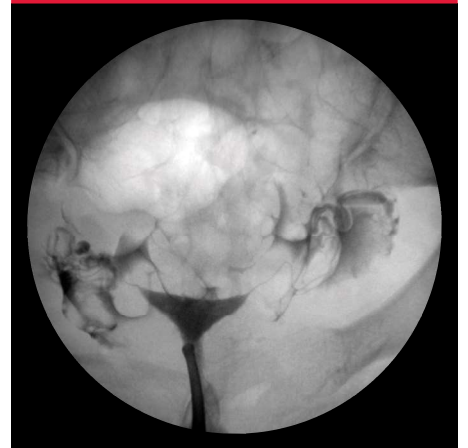
VFSS



Lumbar Interbody Fusion



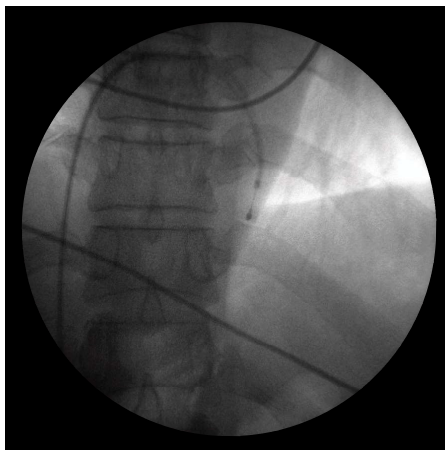
Root Block



HSG



Patella ORIF

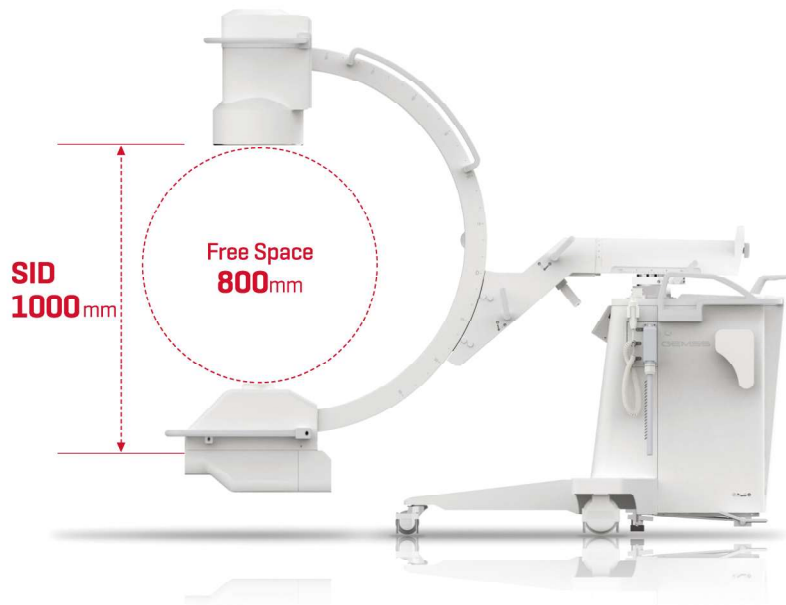
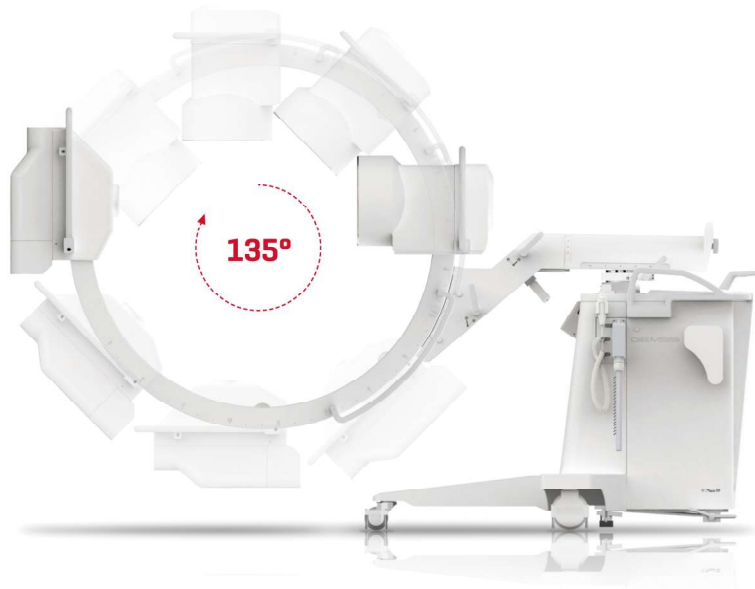


Temporary Pacemaker



RGP

## Flexible Movement



### FACTORY

822, Bogwang-ro, Gwangtan-myeon, Paju-si, Gyeonggi-do 10952 Korea  
Tel. +82 31-995-2292 Fax. +82 31-948-4208

### OFFICE

227, Sowon-ro, Deogyang-gu, Goyang-si, Gyeonggi-do 10534 Korea  
Tel. +82 31-906-9017 Fax. +82 31-948-4208

**GEMSS**  
HEALTHCARE

[www.gemss-healthcare.com](http://www.gemss-healthcare.com)  
[sales@gemss-healthcare.com](mailto:sales@gemss-healthcare.com)

© GEMSS HEALTHCARE Co., Ltd. All rights reserved.

GEMSS HEALTHCARE reserves the right to make any changes in design and specifications contained herein without prior notice and will not be liable for any consequences resulting from the use of this publication. Any technical data contained in this document may vary within defined tolerances. Original Images always lose a certain amount of data when reproduced. Please contact your local GEMSS sales representative for the most current information.